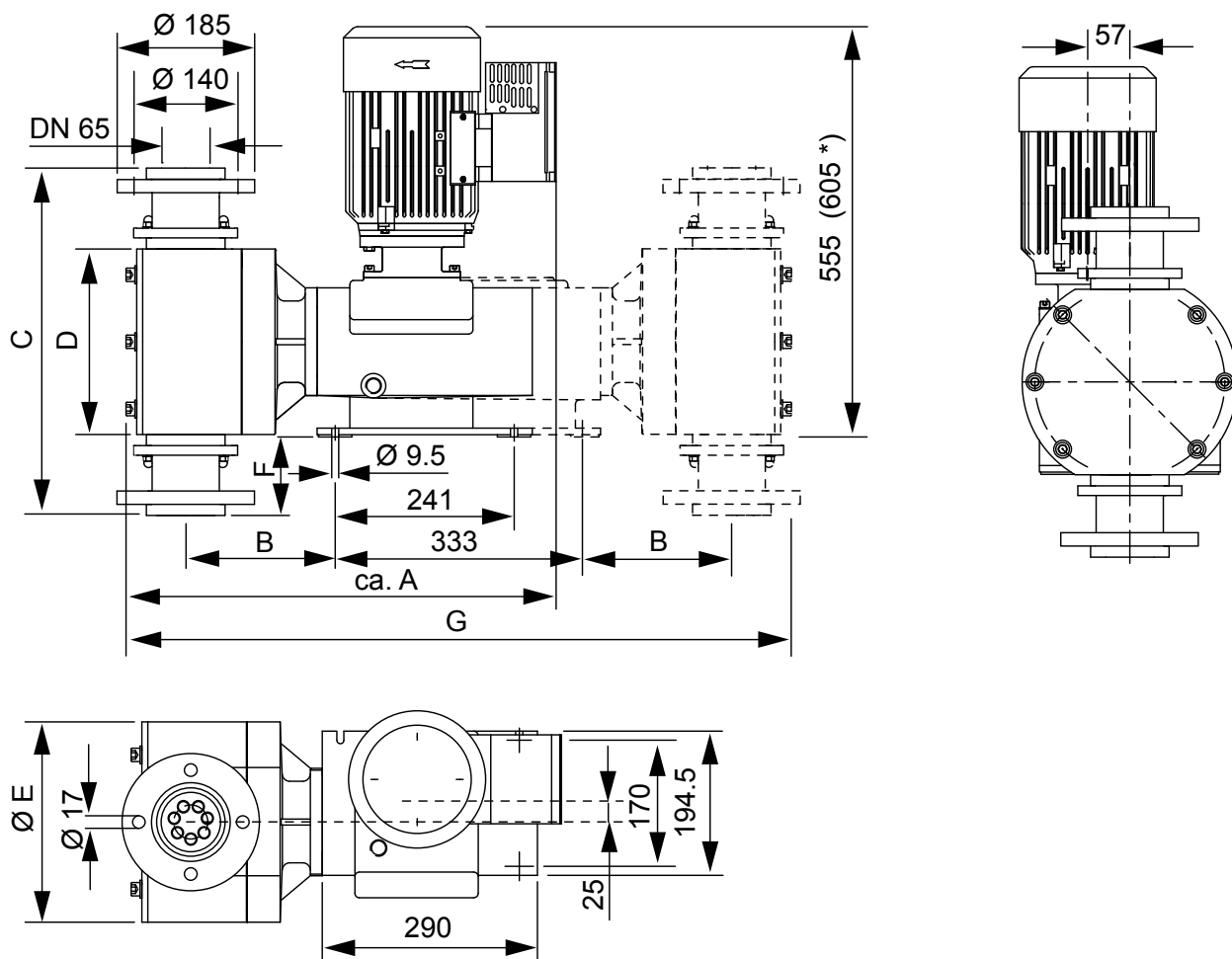


# DMX 227

Precise, reliable and economical dosing of large flows

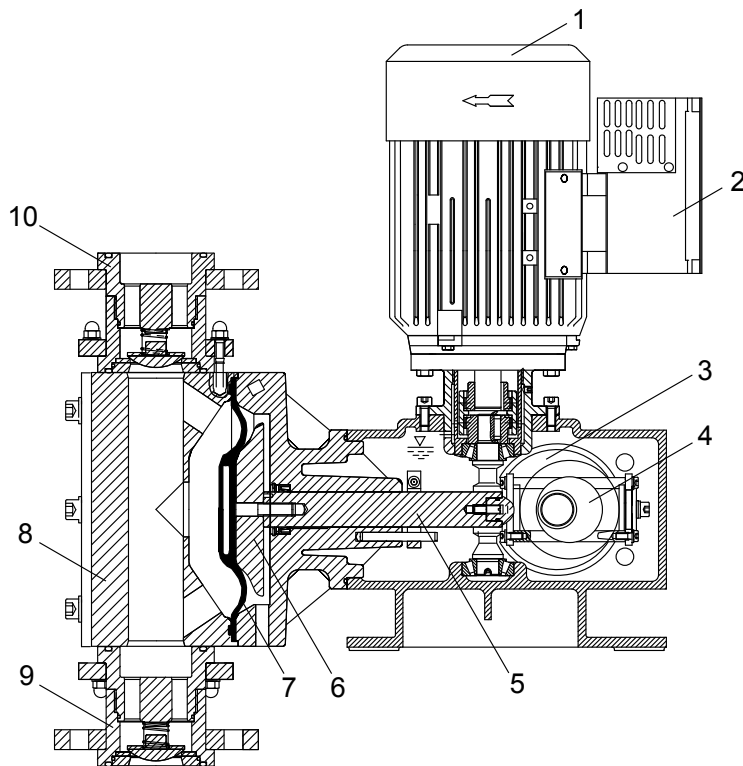


## Measurements



DMX model	Measurements in mm						
	A	B	C	D	$\varnothing E$	F	G
227-430	567	185	446	228	270	95	880
227-860	567	185	446	228	270	95	880
227-1120	567	185	446	228	270	95	880
227-770	580	201	468	250	290	106	910
227-1520	580	201	468	250	290	106	910
227-2000	580	201	468	250	290	106	910

## Functional description



- 1 Motor
- 2 Frequency converter
- 3 Worm wheel
- 4 Eccentric
- 5 Tappet
- 6 Support disk
- 7 Dosing diaphragm
- 8 Dosing head
- 9 Suction valve
- 10 Pressure valve

## Pump types

50 Hz		60 Hz		100 Hz 2)		V <sub>stroke</sub> [cm <sup>3</sup> ]	Head size	p <sub>max</sub> [bar]	Weight [kg]		DMX model	
[l/h] 1)	[n/min]	[l/h] 1)	[n/min]	[l/h] 1)	[n/min]				simplex pump	duplex pump	simplex pump	duplex pump
430	28	516	34	860	56	265	1	5	appr. 50	appr. 90	227-430	227-430/2
770	28	924	34	1540	56	457	2	3	appr. 50	appr. 90	227-770	227-770/2
860	56	1032	67	1720	112	256	1	5	appr. 50	appr. 90	227-860	227-860/2
1120	73	1344	88	2240	146	256	1	5	appr. 50	appr. 90	227-1120	227-1120/2
1520	56	1824	67	3040	112	457	2	3	appr. 50	appr. 90	227-1520	227-1520/2
2000	73	2400	88	4000	146	457	2	3	appr. 50	appr. 90	227-2000	227-2000/2

1) l/h per dosing head, double litre capacity for duplex pumps.

2) operation with frequency converter

## Technical data

<b>Accuracy</b>	Dosing flow variation $< \pm 2\%$
<b>Suction height</b>	3 m water column
<b>Materials</b>	Enclosure: aluminium, dosing diaphragm: PTFE/NBR, valve seats: PTFE For dosing head and valves please see the respective table
<b>Motor</b>	For motor details, please see the respective table
<b>Connections</b>	Flange DN 65 with counterflange Flange ANSI 2 1/2"
<b>Option</b>	With diaphragm leakage indication

## Motors

<b>Motor</b>	3 AC, 220-240/380-440 V, 50 Hz, 440-480 V, 60 Hz, IP 65/F, PTC resistor
<b>Flameproof motors for simplex and duplex pumps</b>	230/400 V, 50 Hz, IP 65/F, II 2GD EEx de IIC T4 230/400 V, 50 Hz, IP 65/F, II 2GD EEx de IIC T4, PTC resistor
<b>Motor with annexed frequency converter for 100 Hz operation</b>	380-480 V $\pm 10\%$ , 50/60 Hz, 1.5 kW or 2.2 kW, 3-phase, IP 65/F, without operating elements
<b>Motor kits for simplex pumps</b> <b>Motor kits for duplex pumps</b>	NEMA 145 TC and IEC BG, size 90 B14-C140 NEMA 145 TC and IEC BG, size 100 B14-C160

## Options

<b>Accessories</b>	<b>Order number</b>
Operating panel for integrated frequency converter, plain-text display	326-0014
Integrated stroke sensor, pnp stroke sensor	335-033.1

## Opto-electronic diaphragm leakage indication

<b>Optical sensor</b>	<b>Order number</b>
Evaluation electronics 230 V, 50/60 Hz	334-23
Evaluation electronics 115 V, 50/60 Hz	334-22

## Dosing head and valve versions

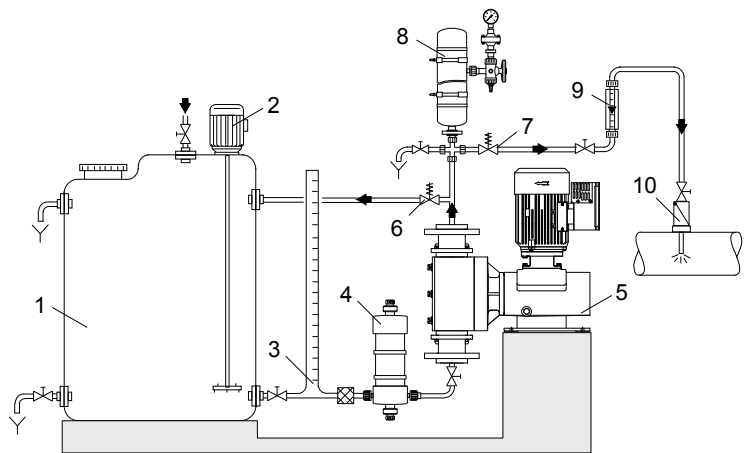
Dosing head	Valve body	Materials		
		Valve seat	Gasket	Valve ball
PP	PP	PTFE	Viton	PP
PVC	PVC	PTFE	Viton	PVC
PVC	PVC	PTFE	EPDM	PVC
Stainless steel	Stainless steel	PTFE	Viton	Stainless steel

## Fittings and accessories

(see separate Data Booklet Accessories)

### Flow scheme of a complete dosing system

- 1 Dosing tank 502
- 2 Electric agitator 509
- 3 Extraction device 521
- 4 Suction pulsation damper 516
- 5 Dosing pump DMX
- 6 Pressure relief valve 525
- 7 Pressure loading valve 525
- 8 Pulsation damper 517
- 9 Measuring tube
- 10 Injection unit 522



## Spare parts sets

- Gaskets for dosing heads
- Inner valve parts
- 1 dosing diaphragm

Head size	PVC/Viton	PVC/EPDM	PP/Viton	Stainless steel/Viton
1	553-1329	553-1329.1	553-1330	553-1331
2	553-1332	553-1332.1	553-1333	553-1334





96735225 03.07	EN
15.820034 V5.0	

Subject to change.